

## SPECIFICATIONS

### 1. SOLDERLESS BREADBOARD: AD-200

Interconnected nickel plated with a total of 1896 tiepoints in total, fitting all DIP sizes and components with lead and solid wire in diameter of AWG #22-30 (0.3 - 0.8mm)

### 2. DC POWER SUPPLY

Variable DC power:

- Positive output voltage: 0 to +15V.
- Negative output voltage: 0 to -15V.
- Maximum output current: 300 mA.
- Line regulation: < 0.05%/V (Ta=25°C)
- Load regulation: < 30 mV (Ta=25°C)

Fixed power supply:

- Positive output voltage: 5V ± 0.25V.
- Maximum output current: 1 Amp.
- Line regulation: < 50 mV.
- Load regulation: < 100 mV.
- Negative output voltage: -5V ± 0.25V
- Maximum output current: 100 mA
- Line regulation: < 25 mV.
- Load regulation: < 30 mV.

All DC power supplies equipped with short circuit protection.

### 3. FUNCTION GENERATOR:

- Frequency ranges: 1Hz - 10Hz
- 10Hz - 100Hz
- 100Hz - 1KHz
- 1KHz - 10KHz
- 10KHz - 100KHz

- Sine wave output: 0 to 8 Vp-p variable.
- Triangle wave output: 0 to 6 Vp-p variable.
- Square wave output: 0 to 8 Vp-p variable.

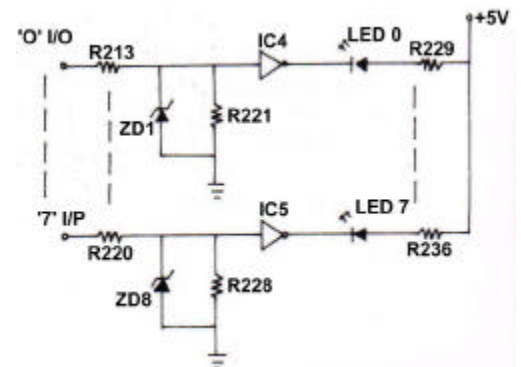
### 4. DIGITAL VOLTMETER (D.V.M.):

3 1/2 digits LED display.

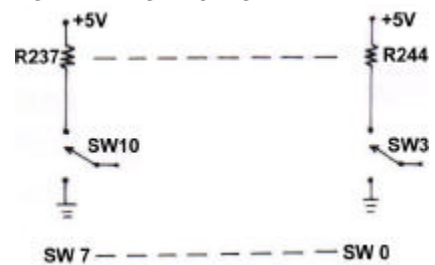
- 4 ranges: 0 - 199.9V full scale.
- 0 - 19.99V full scale.
- 0 - 1.999V full scale.
- 0 - 199.9mV full scale.

Input impedance: 10 Meg. ohm for any range.

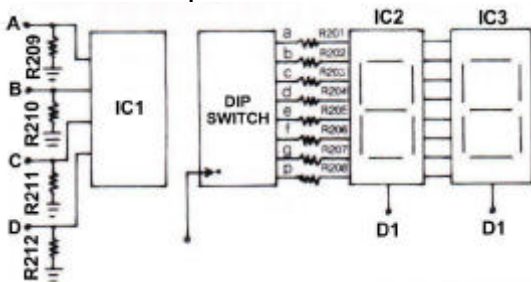
### 7. EIGHT BUFFERED LED DISPLAYS:



### 8. EIGHT DATA SWITCHES:

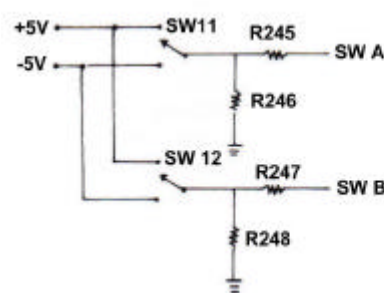


### 5. TWO DIGITS OF 7 SEGMENT LED DISPLAY: Common cathode operation.



### 6. FOUR POINT TIP/BANANA SOCKET/BNC SOCKET EXCHANGE ADAPTERS.

### 9. TWO FUNCTION SWITCHES:



### 10. TWO PULSE SWITCHES:

